

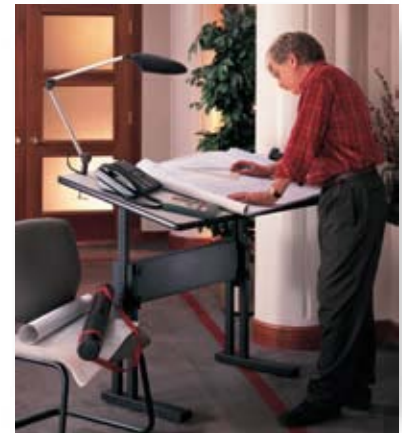
Adjustable Workstations

Versatile solutions designed for comfort and ease of operation



Marathon Table

Two outstanding products that let users configure their worksurface to fit their needs, quickly and conveniently. Both tables feature a wide range of height positioning without the use of tools. Our Marathon's counterbalanced system allows for smooth controlled height adjustment. We've engineered the Set & Forget Table to deliver the utmost in versatility and value.



Set & Forget Table

INTELLIGENT DESIGNS FOR A SMARTER WORKSPACE



1.866.INTELLA • www.intellaspacespace.com

Adjustable Workstations Advantages:

Marathon:

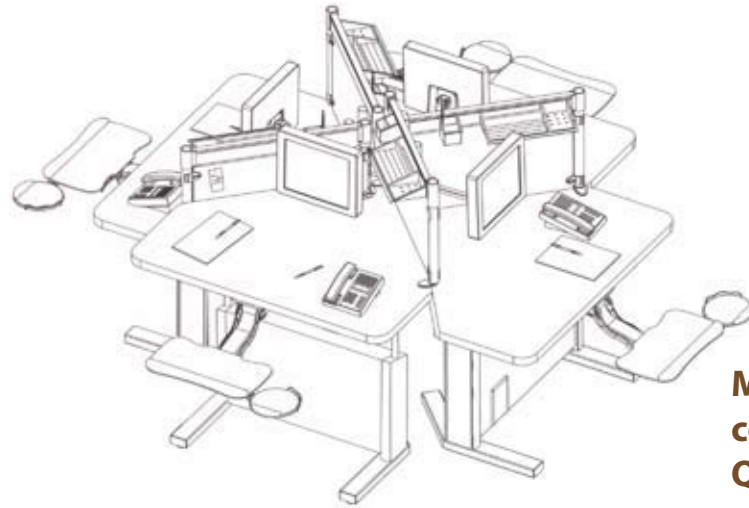
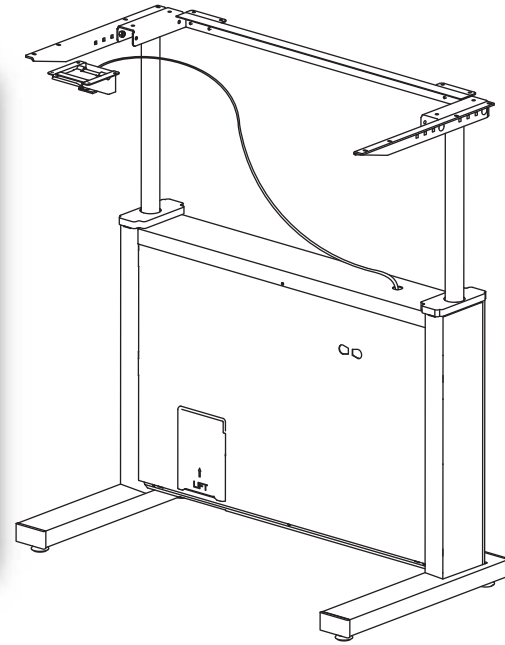
- 15" of height adjustment- from 27.5" to 42.5"
- Counterbalanced to support loads from 75 to 225 pounds, permitting smooth, rapid adjustment using the convenient paddle release
- When used in conjunction with the Intellaspace PostionMate™, a bi-level worksurface is created that can be raised, lowered or tilted for maximum user comfort
- Unique sensing indicator gives clear directions allowing proper counterbalance adjustment
- Smooth, easy operation over the entire service life
- Multiple foot lengths available with ultra-stable Unifoot Construction to accommodate various tops shapes
- Exceeds the ANSI/BIFMA X5.5, 1998 industry performance standard
- Lifetime warranty

Set & Forget:

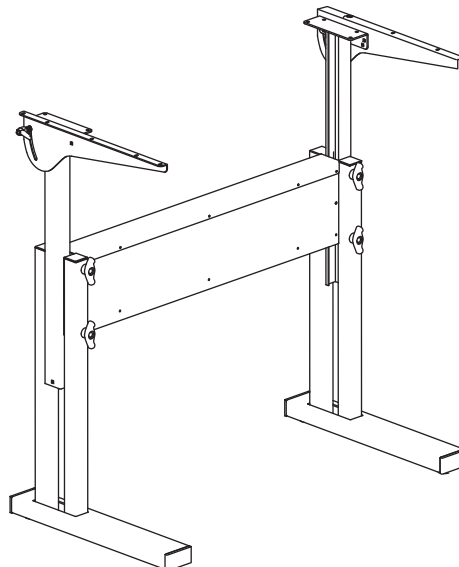
- 16.5" of height adjustment - from 26.5" to 43"
- Adjustable forward tilt - from 0" to 30"
- No tools are required to set height and tilt- easy-to-use adjustment knobs provided
- Convenient grids on either side of table are used to set equal level height adjustment
- Multiple foot lengths available with ultra-stable Unifoot Construction to accommodate various tabletop shapes
- Lifetime warranty

Marathon Table

25886	
MARATHON TABLE WITH FEET*	34.5" Wide
23800	
MARATHON TABLE WITH FEET*	40" Wide
23801	
MARATHON TABLE WITH FEET*	52" Wide
STEEL, BLACK TEXTURED POWDERCOAT	
<i>Worksurfaces sold separately</i>	
*IMPORTANT: Length of foot is dependent upon depth of worksurface used. Please consult Weber Knapp before placing order.	
OPTIONAL CASTERS AVAILABLE.	



Marathon Tables combined as a Quad unit.



Set & Forget Table

25887	
SET & FORGET TABLE WITH FEET*	34.5" Wide
LOAD TEST	375 LBS.
26405	
SET & FORGET TABLE WITH FEET*	40" Wide
LOAD TEST	442 LBS.
26396	
SET & FORGET TABLE WITH FEET*	60" Wide
LOAD TEST	534 LBS.
STEEL, BLACK TEXTURED POWDERCOAT	
<i>Worksurfaces sold separately</i>	
*IMPORTANT: Length of foot is dependent upon depth of worksurface used. Please consult Weber Knapp before placing order.	
OPTIONAL CASTERS AVAILABLE.	

Single and Dual Rectangular Work Surfaces

For use with EasyMate™, PositionMate™, and CobraMate™

SINGLE

DUAL

Size	MARATHON*	SET & FORGET
30" x 42" Use on 34.5" wide tables Single 24" x 42"	Single - MRS 3042	Single - SRS 3042
30" x 48" Use on 3.5" wide tables 4 Single 30" x 48"	Single - MRS 3048	Single - SRS 3048
30" x 54" Use on 40" wide tables Single 30" x 54" Dual 18" x 54" and 11" x 54"	Single - MRS 3054 Dual - MRP 3054 (Position Mate)	Single - SRS 3054 Dual - SRE 3054 (EasyMate) Dual - SRP 3054 (PositionMate) Dual - SRC 3054 (CobraMate)
30" x 60" Use on 40" wide tables Single 30" x 60" Dual 18" x 60" and 11" x 60"	Single - MRS 3060 Dual - MRP 3060 (Position Mate)	Single - SRS 3060 Dual - SRE 3060 (EasyMate) Dual - SRP 3060 (PositionMate) Dual - SRC 3060 (CobraMate)
32" x 42" Use on 34.5" wide tables Single 32" x 42" Dual 20" x 42" and 11" x 42"	Single - MRS 3242 Dual - MRP 3242 (Position Mate)	Single - SRS 3242 Dual - SRE 3242 (EasyMate) Dual - SRP 3242 (PositionMate) Dual - SRC 3242 (CobraMate)
32" x 48" Use on 34.5" wide tables Single 32" x 48" Dual 20" x 48" and 11" x 48"	Single - MRS 3248 Dual - MRP 3248 (PositionMate)	Single - SRS 3248 Dual - SRE 3248 (EasyMate) Dual - SRP 3248 (PositionMate) Dual - SRC 3248 (CobraMate)
32" x 54" Use on 40" wide tables Single 32" x 54" Dual 20" x 54" and 11" x 54"	Single - MRS 3254 Dual - MRP 3254 (PositionMate)	Single - SRS 3254 Dual - SRE 3254 (EasyMate) Dual - SRP 3254 (PositionMate) Dual - SRC 3254 (CobraMate)
32" x 60" Use on 40" wide tables Single 32" x 60" Dual 20" x 60" and 11" x 60"	Single - MRS 3260 Dual - MRP 3260 (PositionMate)	Single - SRS 3260 Dual - SRE 3260 (EasyMate) Dual - SRP 3260 (PositionMate) Dual - SRC 3260 (CobraMate)

1. Standard laminates are Pionite SG208 Limestone, SG246 Dolphin Grey, AW White Spektrum, AG251 Grey Spectrum or Wilson Art equivalents.

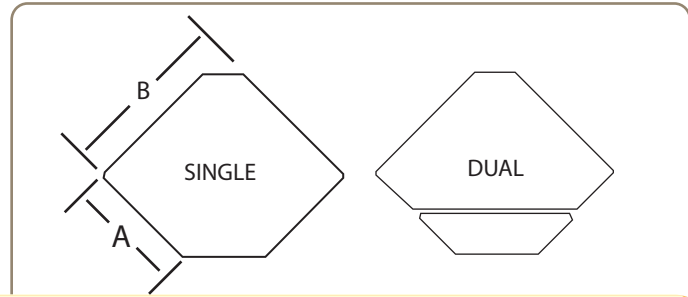
2. Standard T-molding colors are Dove Grey, Almond, White, and Black.

3. Woodgrains and HP268-N Fusion Maple must be specially quoted.

*EasyMate and CobraMate cannot be used with Marathon Tables.

Single and Dual Corner Work Surfaces

For use with EasyMate™, PositionMate™, and CobraMate™



Size (A" x B")	MARATHON*	SET & FORGET
24" x 42" Use on 34.5" wide tables Single 24" x 42"	Single - MCS 2442	Single -SCS 2442
24" x 48" Use on 34.5" wide tables Single 24" x 48" Dual 24" x 48" and 11" x 53"	Single - MCS 2448 Dual - MCP 2448 (PositionMate)	Single - SCS 2448 Dual - SCE 2448 (EasyMate) Dual - SCP 2448 (PositionMate) Dual - SCC 3048 (CobraMate)
30" x 48" Use on 34.5" wide tables Single 30" x 48" Dual 30" x 48" and 11" x 45"	Single - MCS 3048 Dual - MCP 3048 (PositionMate)	Single - SCS 3048 Dual - SCE 3048 (EasyMate) Dual - SCP 3048 (PositionMate) Dual - SCC 3048 (CobraMate)
32" x 48" Use on 34.5" wide tables Single 32" x 48" Dual 32" x 48" and 11" x 42"	Single - MCS 3248 Dual - MCP 3248 (PositionMate)	Single - SCS 3248 Dual - SCE 3248 (EasyMate) Dual - SCP 3248 (PositionMate) Dual - SCC 3248 (CobraMate)

1. Standard laminates are Pionite SG208 Limestone, SG246 Dolphin Grey, AW785 White Spektrum, AG251 Grey Spektrum, or Wilson Art equivalents.
2. Standard T-molding colors are Dove Grey, Almond, White and Black.
3. Woodgrains and HP268-N Fusion Maple must be specially quoted.

*EasyMate and CobraMate cannot be used with Marathon Tables.

NOTE: WORKSURFACES IN CUSTOM SIZES, SHAPES AND LAMINATES CAN BE SPECIALLY QUOTED

©Mesa Contract, Inc.
Rev 12/08

