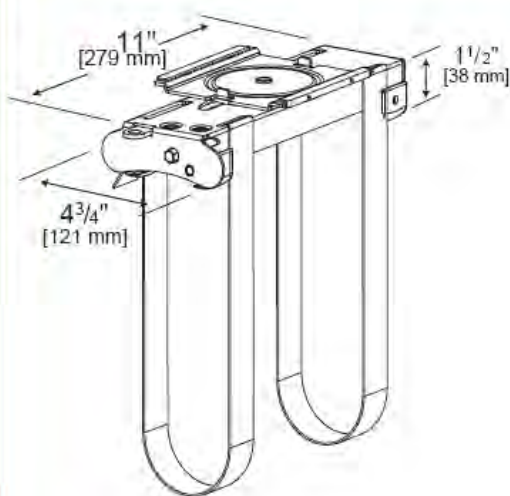




## EasyCinch™ CPU Holder Item No. 25801

CPU Holder easily swivels and retracts, allowing maximum flexibility. Eliminates unnecessary, unnatural bending motion to load media or access cabling. The 360° swivel option provides easy access to CPU cable inputs - no more crawling under or behind your desk. Easily converts for horizontal installation.

- For CPUs up to 75 lbs., 64" perimeter and at least 3.75" wide
- Includes "Cinch and Lock" device adjusted with tool stored within unit
- Safety features prevent accidental release of strap tension and the straps can be tightened while the CPU is suspended
- 17.75" track included
- Steel, Stardust silver powdercoat



SWIVEL	360°
FULLY RETRACTABLE	Yes, 17-3/4 track
CPU CAPACITY	75 lb
MATERIAL	Steel with nylon strap
FINISH	Black 25247, Silver 25729 powder coat