

Under Cabinet LED Task Lighting

Task lighting with modern technology. Energy efficient LEDs combined with a slim aesthetic extruded design is what the S series is all about. Tilt adjustment of the luminary directs the light to the task, and it fits under any metal or wood shelf.



Features

- Linear array LED technology
- LEDs rated 50,000 average lifetime
- Consums only 9.4 watts
- Silver aluminum finish
- "Spring bar" or wood screw mount
- Infinite tilt from 0° to 90°



Flush



45° tilt

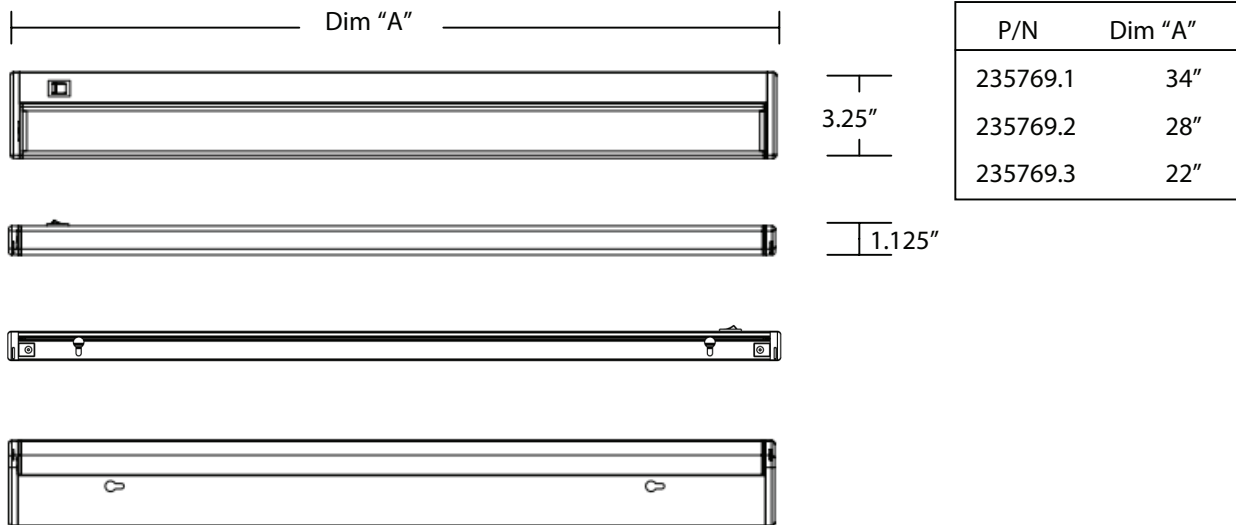


90° tilt

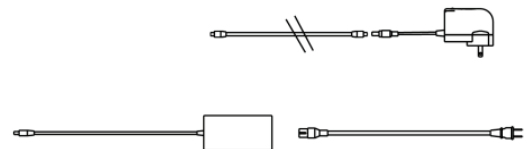
Under Cabinet LED Task Lighting

- Silver aluminum finish with black power supply and cord
- RH toggle switch location
- 90 degree of infinite rotation of luminary
- Choice of mount - spring bar or wood screws through key-way slots
- 9.4 watts of power consumption with a UL listed 120V power supply
- LEDs feature 50,000 average lifetime hours
- Color temperature: 3300 K
- Daisy chain up to three lights (requires daisy chain power supply)
- Post-consumer content used in packaging and aluminum components
- LEED credit eligible

Specifying Details



Mounting and spring bars included



Single or daisy chain UL power supply included

